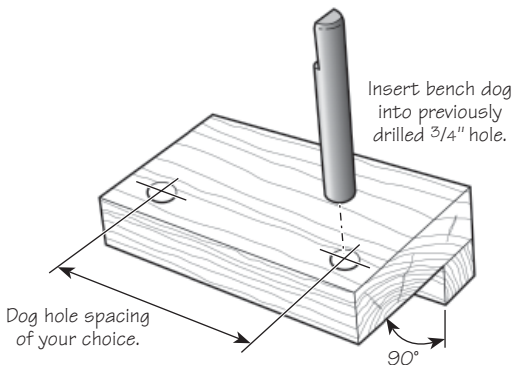


## Bench Dogs

---

### Installation

Veritas® Bench Dogs can be used in holes drilled vertically or horizontally in a bench top. For retrofit, use a pre-drilled block (see **Figure 1**) to ensure 90° holes.



**Figure 1: Drilling holes using a shop-made jig.**